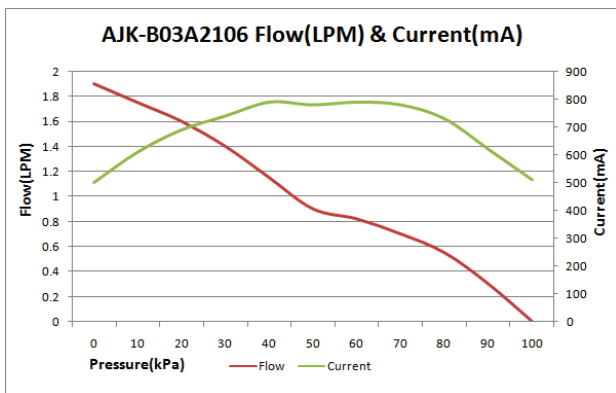
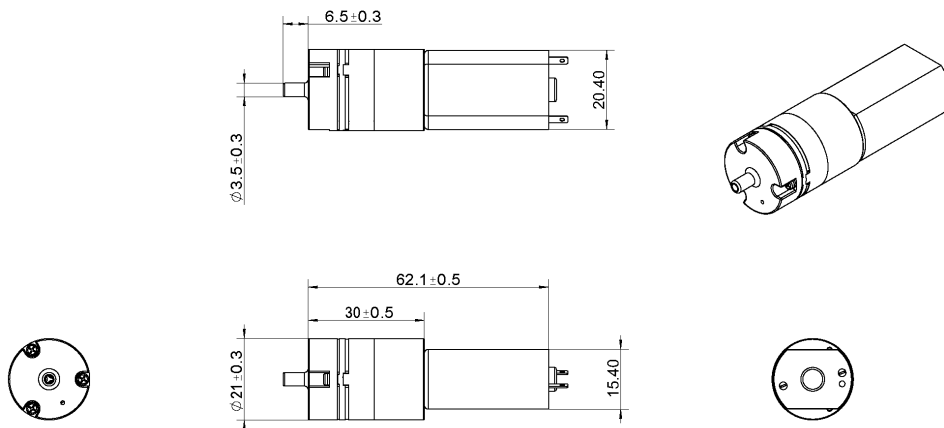


Pump

AJK-B2106



Product Specification

Rated Voltage	Rated Current	Free Flow	Pressure	Noise	Load
DC 3.0 V	< 800 mA	> 1.5 LPM	> 60 Kpa	< 65 dB	Air



爱家康

流体全面解决方案提供商

XIAMEN AJK TECHNOLOGY CO., LTD.

+86-0592-2610721 +86-0592-2610791 <http://www.xmajk.com>