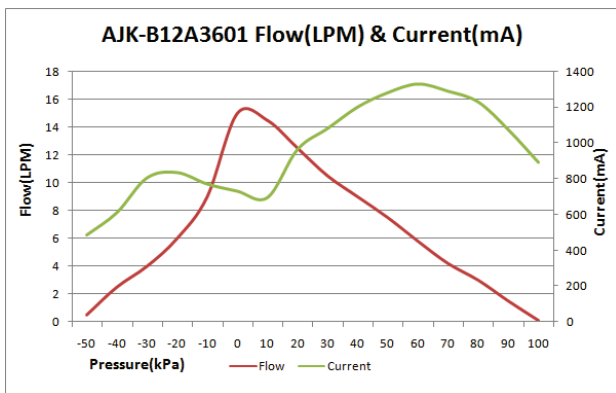
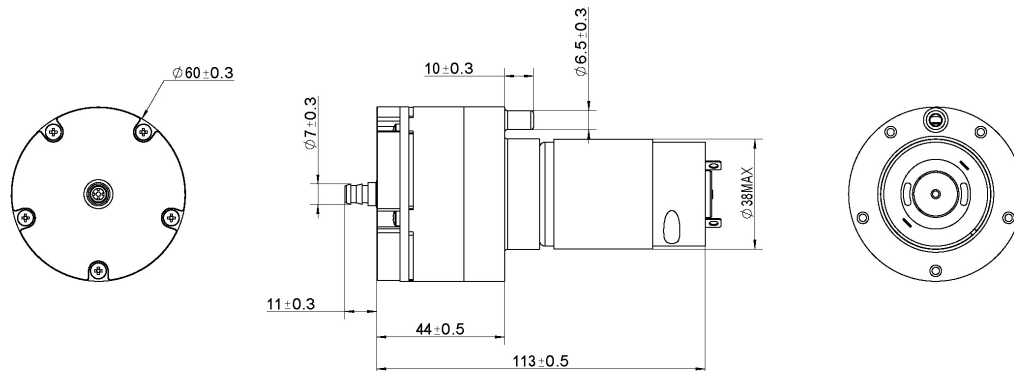


Pump

AJK-B3601



Product Specification

Rated Voltage	Rated Current	Free Flow	Pressure	Noise	Load
DC 12.0 V	< 1500 mA	> 13.0 LPM	-50~80 KPa	< 65 dB	Air & Vacuum
DC 24.0 V	< 1100 mA	> 13.0 LPM	-50~80 KPa	< 65 dB	Air & Vacuum



爱家康

流体全面解决方案提供商

XIAMEN AJK TECHNOLOGY CO., LTD.

+86-0592-2610721 +86-0592-2610791 <http://www.xmajk.com>