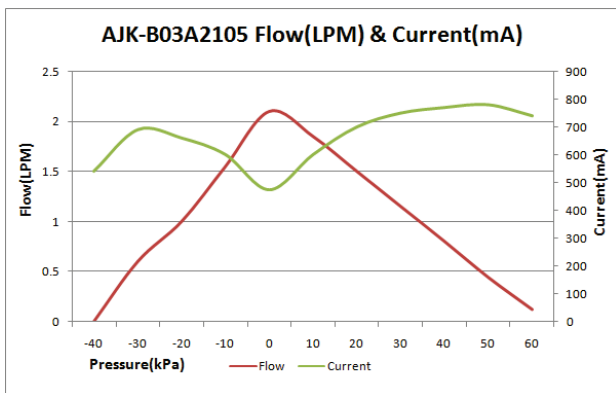
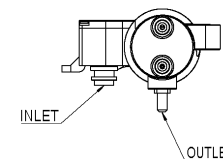
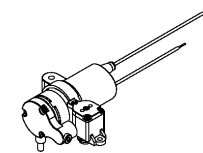
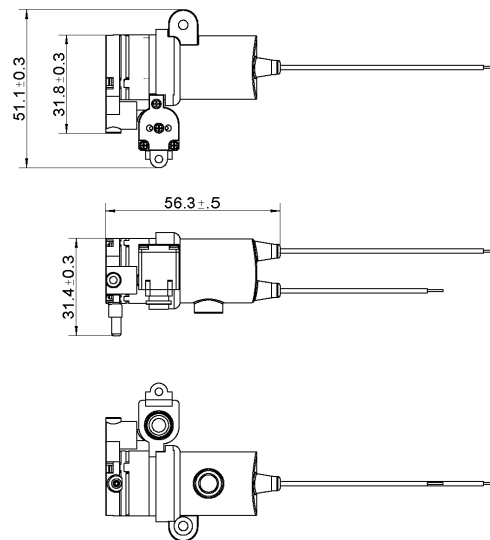
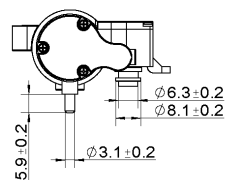


Pump

AJK-B2105



Product Specification

Rated Voltage	Rated Current	Free Flow	Pressure	Noise	Load
DC 3.0 V	< 700 mA	> 2.0 LPM	-35~60 KPa	< 60 dB	Air & Vacuum