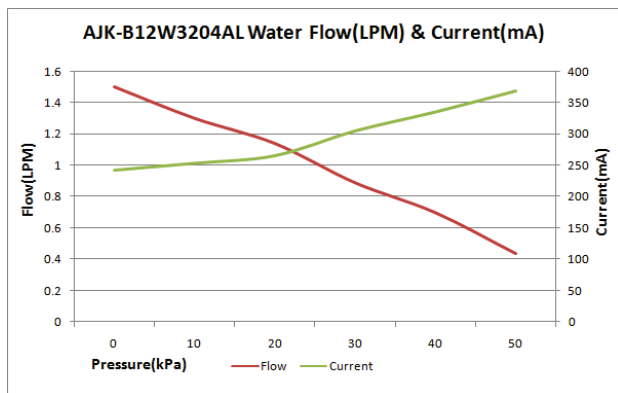
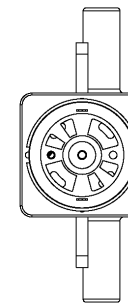
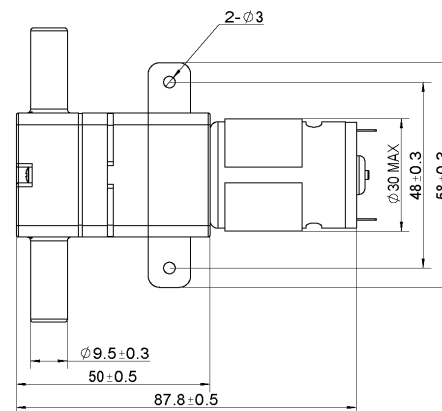
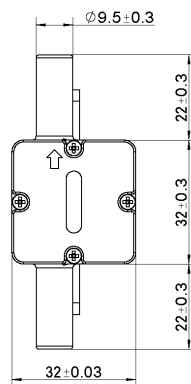
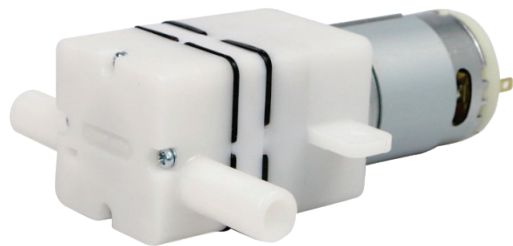


Pump

AJK-B3204AL



Product Specification

Rated Voltage	Rated Current	Free Flow	Pressure	Noise	Load
DC 12.0 V	< 400 mA	> 1.3 LPM	> 100 KPa	< 60 dB	Water
DC 24.0 V	< 200 mA	> 1.3 LPM	> 100 KPa	< 60 dB	Water



爱家康

流体全面解决方案提供商

XIAMEN AJK TECHNOLOGY CO., LTD.

+86-0592-2610721 +86-0592-2610791 <http://www.xmajk.com>