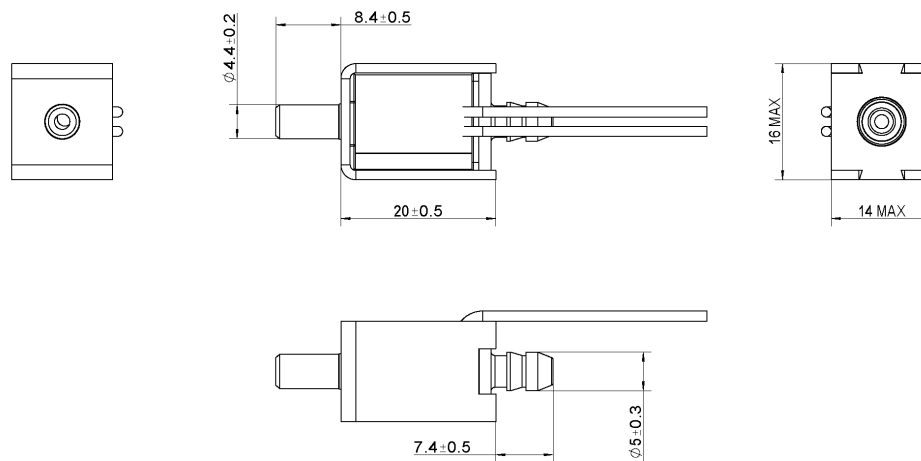
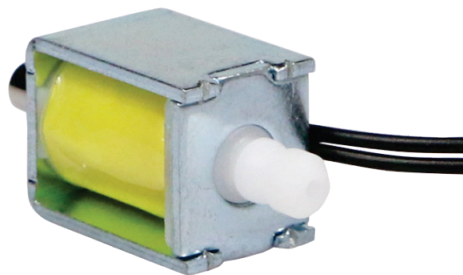


Valve

AJK-F0504-B



Product Specification

Rated Voltage	Rated Current	Resistance	Operation Pressure	Exhaust Speed	Load
DC 6.0 V	375 mA	$16\Omega \pm 10\%$	-50~60 KPa	4s	Air / NC
DC 12.0 V	400 mA	$30\Omega \pm 10\%$	-50~60 KPa	4s	Air / NC



爱家康

流体全面解决方案提供商

XIAMEN AJK TECHNOLOGY CO., LTD.

+86-0592-2610721 +86-0592-2610791 <http://www.xmajk.com>