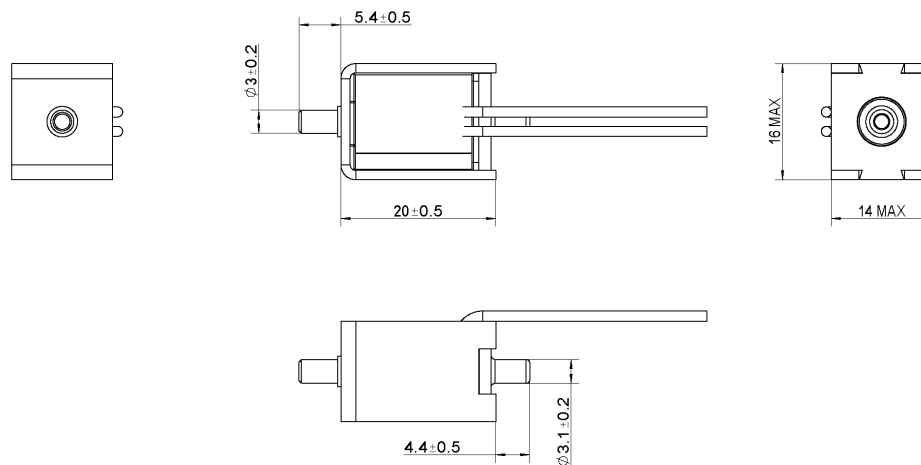
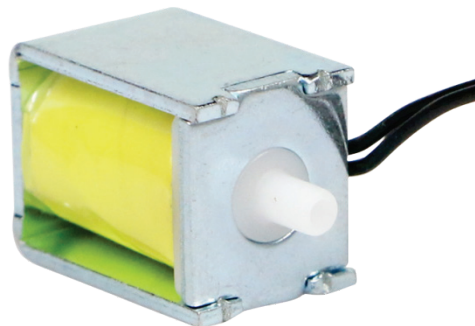


Valve

AJK-F0504



Product Specification

Rated Voltage	Rated Current	Resistance	Operation Pressure	Exhaust Speed	Load
DC 6.0 V	375 mA	16Ω±10%	-50~60 KPa	4s	Air / NC
DC 12.0 V	400 mA	30Ω±10%	-50~60 KPa	4s	Air / NC



爱家康

流体全面解决方案提供商

XIAMEN AJK TECHNOLOGY CO., LTD.

+86-0592-2610721 +86-0592-2610791 <http://www.xmajk.com>