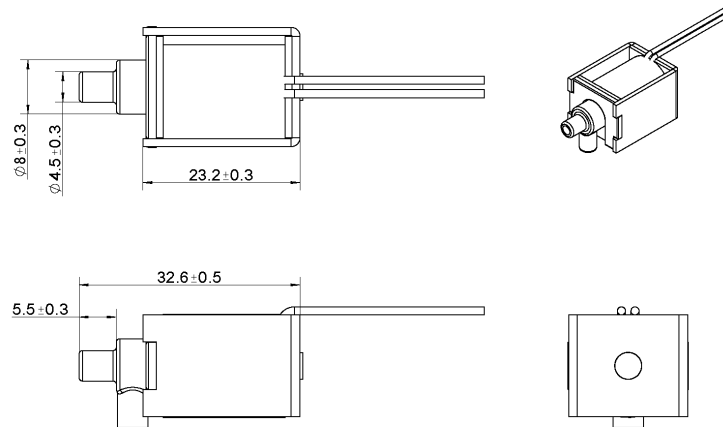
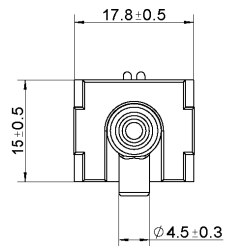
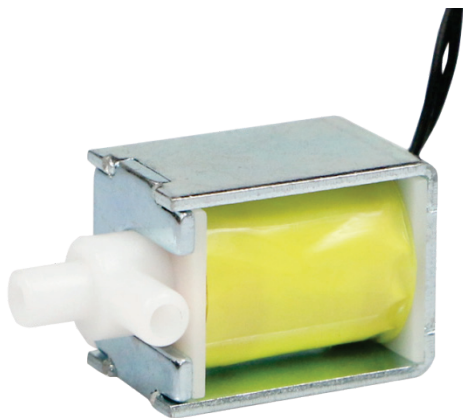


Valve

# AJK-F0507



## Product Specification

Rated Voltage	Rated Current	Resistance	Operation Pressure	Exhaust Speed	Load
DC 6.0 V	290 mA	21Ω±10%	-50 KPa	3.5s	Air / NC
DC 12.0 V	270 mA	45Ω±10%	-50 KPa	3.5s	Air / NC
DC 24.0 V	220 mA	110Ω±10%	-50 KPa	3.5s	Air / NC



爱家康

流体全面解决方案提供商

XIAMEN AJK TECHNOLOGY CO., LTD.

+86-0592-2610721 +86-0592-2610791 <http://www.xmajk.com>