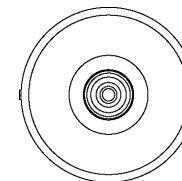
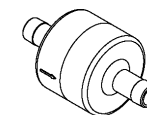
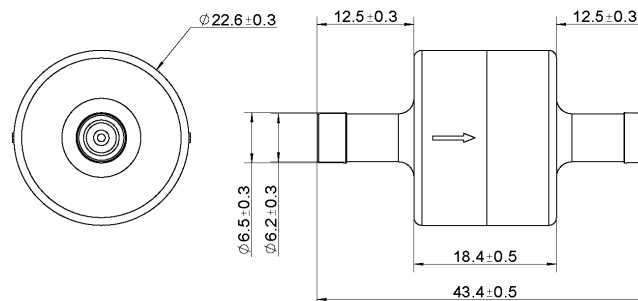


Valve

# AJK-F2001



## Product Specification

Rated Voltage	Rated Current	Resistance	Operation Pressure	Exhaust Speed	Load
Check Valve	-	-	15 cmH <sub>2</sub> O	-	Forward
Check Valve	-	-	700 KPa	-	Backward



爱家康

流体全面解决方案提供商

XIAMEN AJK TECHNOLOGY CO., LTD.

+86-0592-2610721 +86-0592-2610791 <http://www.xmajk.com>